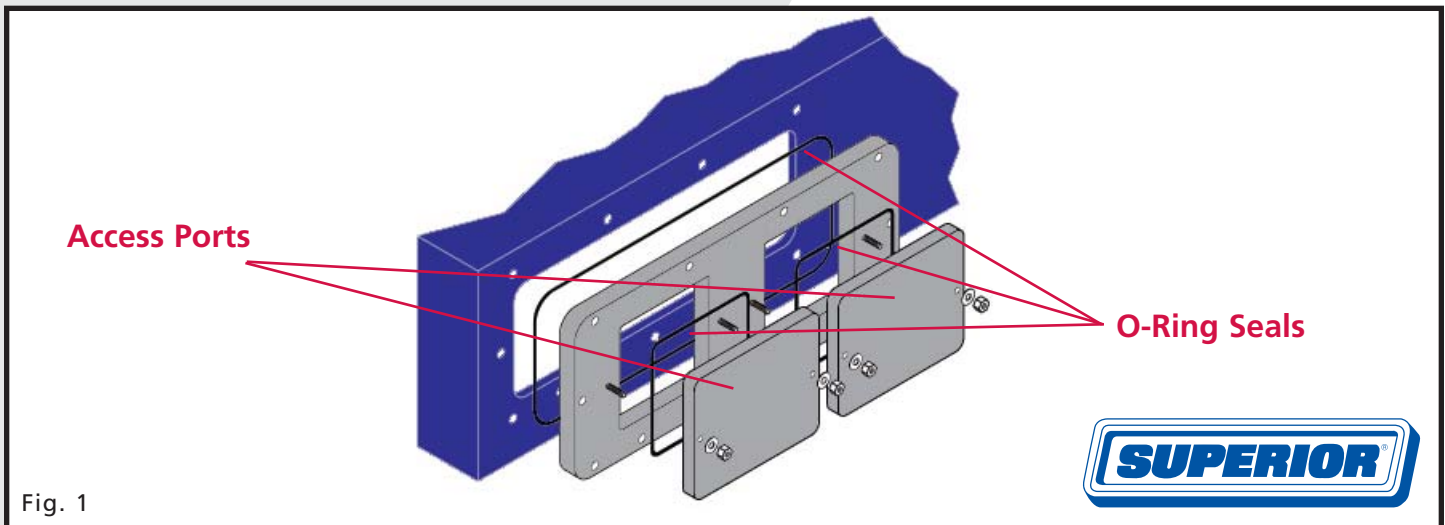


# PRODUCT IMPROVEMENT BULLETIN

## Superior 825 Turbocharged Engines



The fiberglass side cover door with the new easy access ports is shown above. O-ring seals on the doors and access ports provide a positive seal to control oil leaks.

### New Easy Access Fiberglass Doors Speed Fuel Valve Adjustments

Cooper Compression has introduced a new design innovation that takes the first Superior fiberglass door concept a step further. Now, only a few bolts separate you from easy access to fuel gas valves. Each door has been fitted with two access ports large enough to perform the 1,500 hour fuel gas valve adjustment without removing the entire side cover. The ports are covered by smaller, lightweight fiberglass doors.

This new design replaces side cover doors for all 825 series turbocharged vee and inline engines. It is sold as an

assembly which includes all o-rings and mounting hardware shown in Fig. 1. Part numbers and quantity requirements are tabled in Fig. 2.

Superior 825 series engines were originally supplied with cast iron side cover doors. The numerous fasteners and weight of the doors made fuel valve adjustment a difficult and time-consuming task.

More than a decade ago, Cooper Compression offered a fiberglass alternative to the cast iron door that reduced door weight by more than 40 pounds and increased the door's overall strength and flexibility, but they still required a significant amount of time for removal and reinstallation.

## PART NUMBERS AND QUANTITY REQUIREMENTS

825 Engine Type	# of Cyls.	Qty. Required	Original Cast Iron Door Part #	Original Fiberglass Door Part #	New Door With Fiberglass Side Covers
Inline	6	3	006-675	033-668	<b>034-750</b>
Inline	8	4	006-675	033-668	<b>034-750</b>
Vee	12	6	029-296	033-667	<b>034-753</b>
Vee	16	8	029-296	033-667	<b>034-753</b>

Fig. 2

### FEATURES AND BENEFITS:

- Easy access gas valve doors - saves time
- Significantly lighter - one man job
- O-ring seals - reduced oil leakage
- Directly interchangeable with all previous doors - no required modifications



### MAJOR US LOCATIONS:

#### HOUSTON, TX:

Cooper Compression  
6650 Bingle Rd.  
Houston, TX 77092  
Tel: 1-866-754-3562  
Fax: 713-354-1923

#### NEW ORLEANS, LA:

Cooper Compression  
10446 River Rd.  
St. Rose, LA 70087-9126  
Tel: 504-465-0260  
Fax: 504-465-9543

#### ODESSA, TX:

Cooper Compression  
8927 Andrews Highway  
Odessa, TX 79765-1308  
Tel: 800-972-1172  
Fax: 432-366-0534

#### PAMPA, TX:

Cooper Compression  
423 S. Gray St.  
Pampa, TX 79065  
Tel: 800-858-4374  
Fax: 806-669-3196

#### CASPER, WY:

Cooper Compression  
1950 N. Loop Ave.  
Casper, WY 82601  
Tel: 307-265-7653  
Fax: 307-266-6847



For all international and domestic locations,  
logon to [www.coopercompression.com](http://www.coopercompression.com)