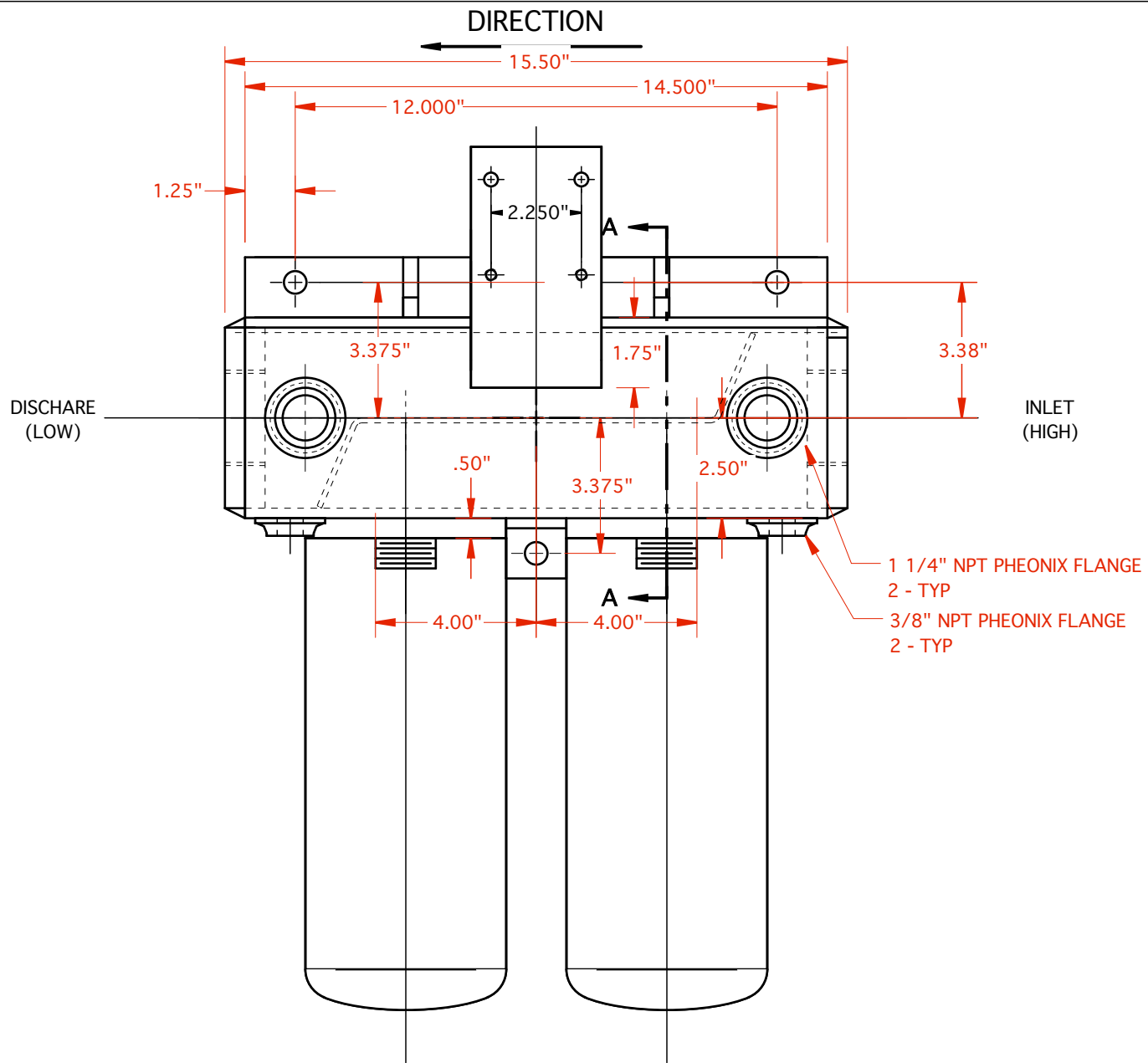
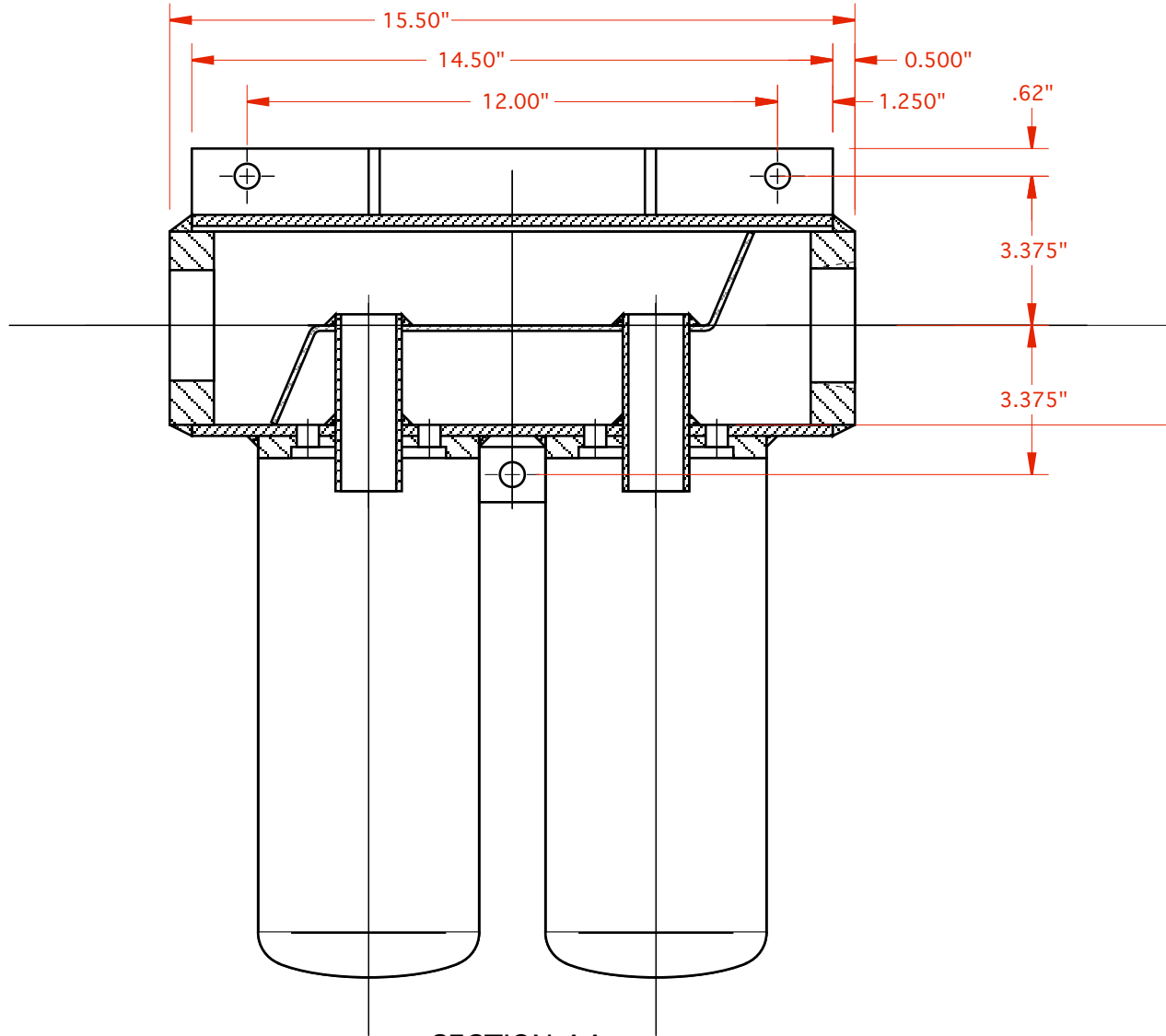


PART NUMBER: SEC-6	DESCRIPTION: FILTER ASSEMBLY	MAKE: SEC	TOLERANCES: FRACTIONAL +0.010" X ±0.100" .XX ±0.010" .XXX ±0.005" ALL DIMS IN INCHES UNLESS OTHERWISE SPECIFIED
SCALE: 3" = 1'	MATERIAL SPEC.: SEE NOTES	DATE: 07/29/02	
SINOR ENGINE COMPANY, INC.			



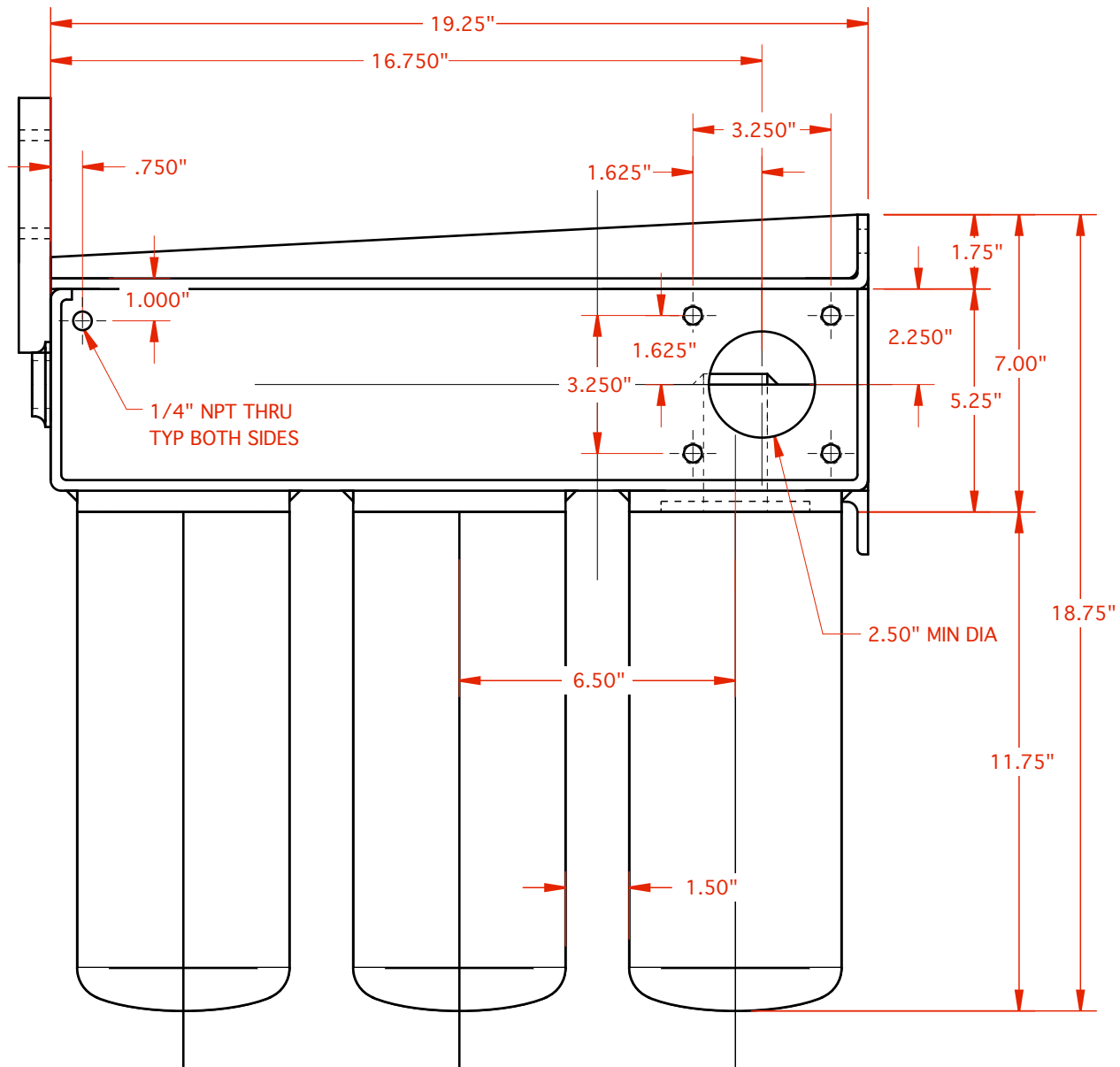
PART NUMBER: SEC-6	DESCRIPTION: FILTER ASSEMBLY	MAKE: SEC	TOLERANCES: FRACTIONAL $\pm 0.010''$ X $\pm 0.100''$.XX $\pm 0.010''$.XXX $\pm 0.005''$ ALL DIMS IN INCHES UNLESS OTHERWISE SPECIFIED
SCALE: 3" = 1'	MATERIAL SPEC.: SEE NOTES	DATE: 07/29/02	
SINOR ENGINE COMPANY, INC.			

DIRECTION



SECTION AA

PART NUMBER: SEC-6	DESCRIPTION: FILTER ASSEMBLY	MAKE: SEC	TOLERANCES: FRACTIONAL +0.010" X ±0.100" .XX ±0.010" .XXX ±0.005" ALL DIMS IN INCHES UNLESS OTHERWISE SPECIFIED
SCALE: 3" = 1'	MATERIAL SPEC.: SEE NOTES	DATE: 07/29/02	
SINOR ENGINE COMPANY, INC.			



PART NUMBER: SEC-6		DESCRIPTION: FILTER ASSEMBLY		MAKE: SEC	TOLERANCES: FRACTIONAL +0.010" .X ±0.100" .XX ±0.010" .XXX ±0.005" ALL DIMS IN INCHES UNLESS OTHERWISE SPECIFIED
SCALE: 3" = 1'	MATERIAL SPEC.: SEE NOTES		DATE: 07/29/02		
SINOR ENGINE COMPANY, INC.					