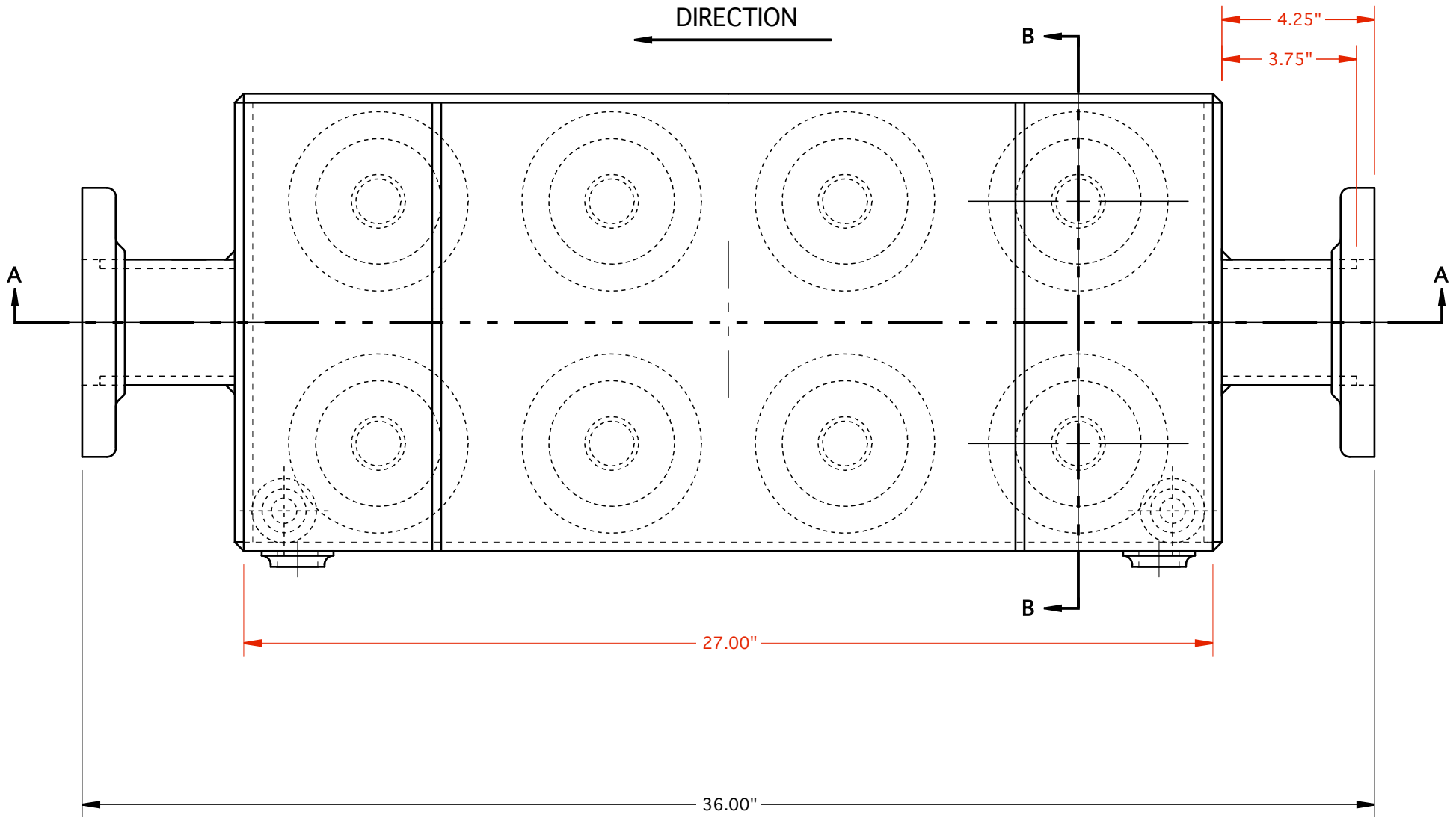
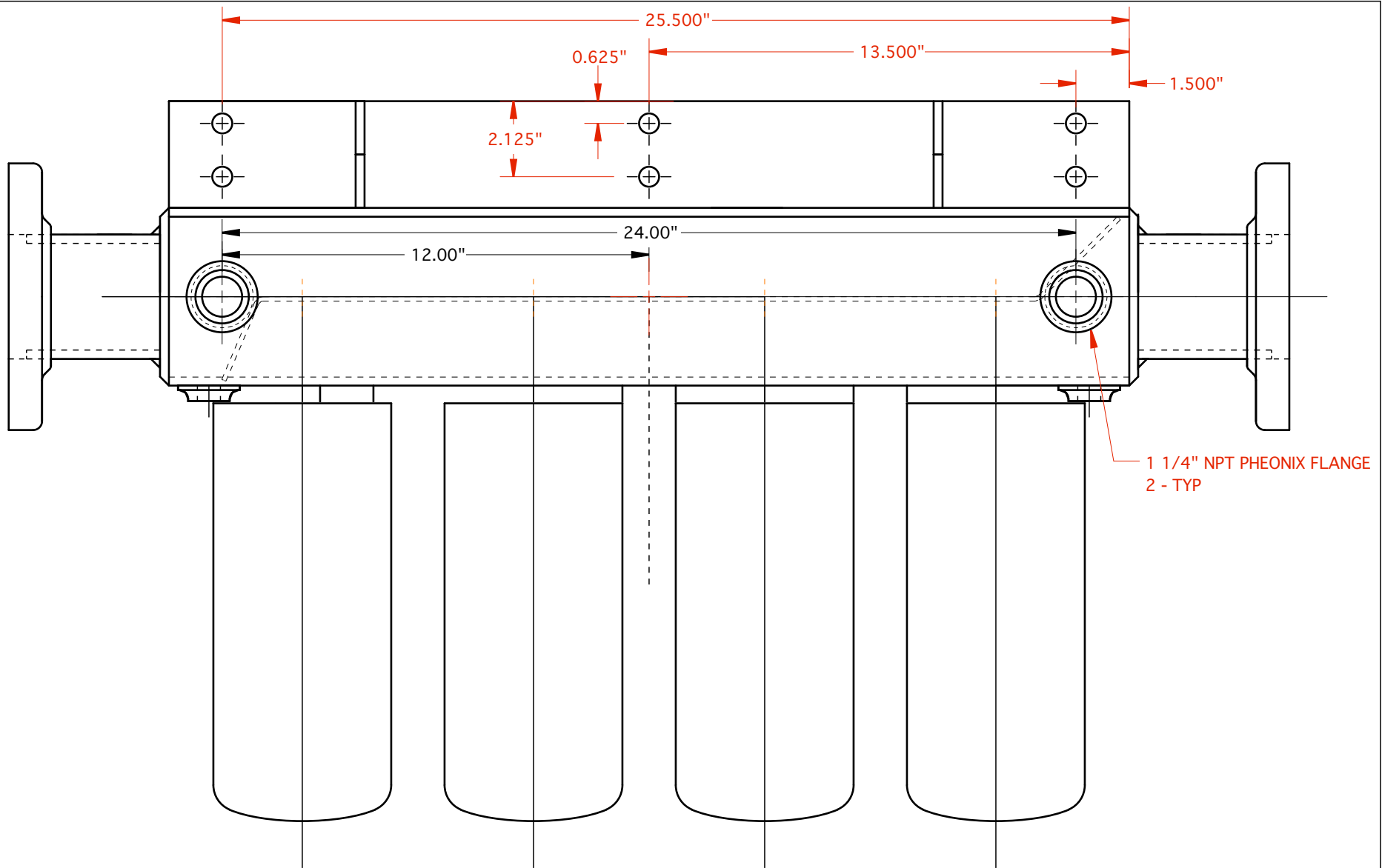


DIRECTION



PART NUMBER: <b>SEC-8001</b>	DESCRIPTION: <b>FILTER ASSEMBLY</b>	MAKE: <b>SEC</b>	TOLERANCES: FRACTIONAL $\pm 0.010"$ X $\pm 0.100"$ .XX $\pm 0.010"$ .XXX $\pm 0.005"$ ALL DIMS IN INCHES UNLESS OTHERWISE SPECIFIED
SCALE: <b>3" = 1'</b>	MATERIAL SPEC.: <b>SEE NOTES</b>	DATE: <b>07/29/02</b>	
<b>SINOR ENGINE COMPANY, INC.</b>			

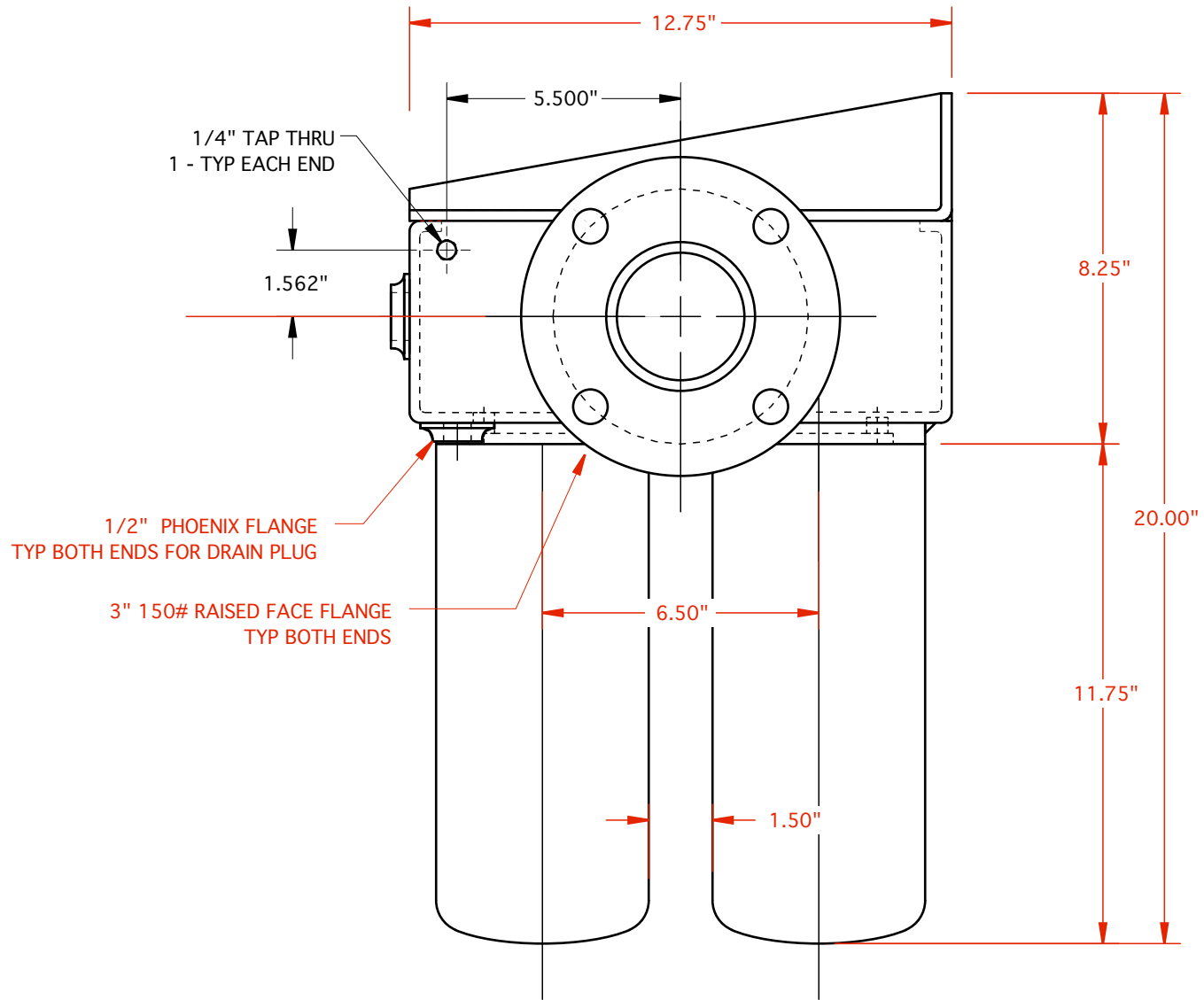


DIRECTION



SECTION AA

PART NUMBER: SEC-8001	DESCRIPTION: FILTER ASSEMBLY	MAKE: SEC	TOLERANCES: FRACTIONAL +0.010" X ±0.100" .XX ±0.010" .XXX ±0.005"
SCALE: 3" = 1'	MATERIAL SPEC.: SEE NOTES	DATE: 07/29/02	ALL DIMS IN INCHES UNLESS OTHERWISE SPECIFIED
<b>SINOR ENGINE COMPANY, INC.</b>			



PART NUMBER: <b>SEC-8001</b>	DESCRIPTION: <b>FILTER ASSEMBLY</b>	MAKE: <b>SEC</b>	TOLERANCES: FRACTIONAL +0.010" .X ±0.100" .XX ±0.010" .XXX ±0.005" ALL DIMS IN INCHES UNLESS OTHERWISE SPECIFIED
SCALE: <b>3" = 1'</b>	MATERIAL SPEC.: <b>SEE NOTES</b>	DATE: <b>07/29/02</b>	
<b>SINOR ENGINE COMPANY, INC.</b>			