

Sinor Engine Company
 1100 Georgia Ave.
 Deer Park, Tx 77536 USA
 281-930-0060



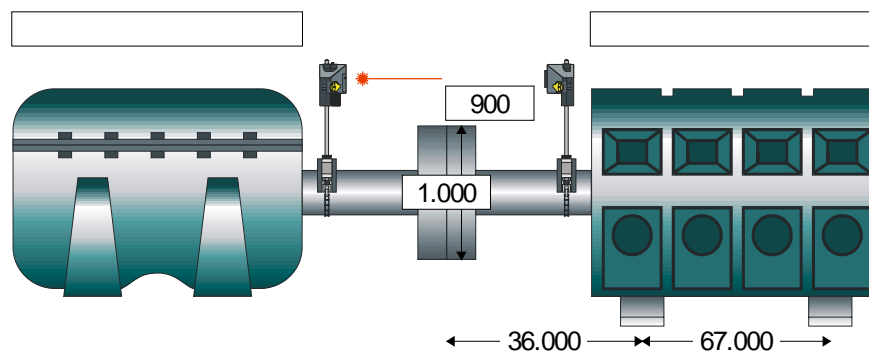
File information

Filename: PUMP-MOTOR-HOU.EX.VERM-369
 Company:
 Plant:
 Area:
 Machine Train:
 Modified measurement: 3/19/2004 7:56:49 PM
 Report comment:
 Username: Sinor Engine Company
 Field 2: 1100 Georgia Ave.
 Field 3: Deer Park, TX 77536
 Field 4: 800-324-1223
 Field 5:
 Field 6:
 Field 7:
 Field 8:

Aggregate description

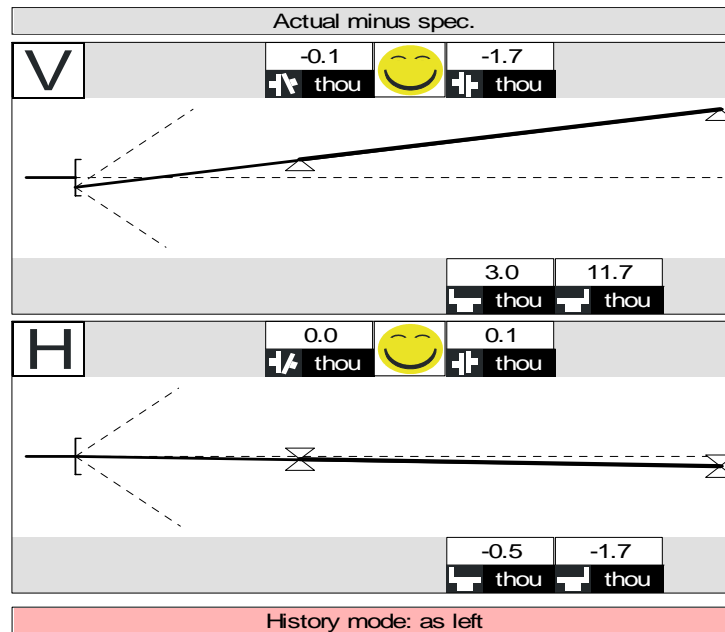
Item:	Type:	Name:	Fixation:
Machine 1 :	Compressor, axial		Stationary
Coupling 1 - 2 :	Short flex		
Machine 2 :	Diesel engine		Four feet

Machine dimensions



Aggregate dimension			
Coupling 1 - 2 :			
Coupling Diameter	1.000		[inch]
Distance to left machine	---		[inch]
Distance to right machine	36.000		[inch]
RPM	900		RPM
Machine 1 :			
Machine 2 :			
Distance left foot to right foot	67.000		[inch]

Train Results



Foot correction values			
Machine No. 1 :			
Machine No. 2 :			
Left foot	vertical	-3.0	[thou]
Right foot	vertical	-11.7	[thou]
Left foot	horizontal	0.5	[thou]
Right foot	horizontal	1.7	[thou]

Coupling results			
Coupling 1 - 2 :			
	Act.-Spec.	Actual	
Gap vertical	-0.1	-0.1	[thou]
Offset vertical	-1.7	-4.7	[thou]
Gap horizontal	0.0	0.0	[thou]
Offset horizontal	0.1	0.1	[thou]

Measurements

Coupling 1 - 2 :	V Gap	V Offset	H Gap	H Offset
Pass	48.3 [thou]	290.9 [thou]	3.9 [thou]	-233.6 [thou]
Pass	-2.4 [thou]	-49.8 [thou]	0.4 [thou]	-3.3 [thou]
Move	-2.4 [thou]	-50.3 [thou]	0.0 [thou]	-1.1 [thou]
Move	-0.8 [thou]	-31.3 [thou]	0.1 [thou]	5.7 [thou]
Pass	-0.6 [thou]	-28.1 [thou]	0.1 [thou]	9.9 [thou]
Move	-0.3 [thou]	-11.6 [thou]	-0.0 [thou]	-1.6 [thou]
Multipoint	-0.3 [thou]	-8.4 [thou]	0.0 [thou]	-3.8 [thou]
Move	0.0 [thou]	-5.9 [thou]	-0.0 [thou]	-0.4 [thou]
Multipoint	-0.0 [thou]	-6.3 [thou]	0.0 [thou]	-0.7 [thou]
Multipoint	-0.1 [thou]	-6.4 [thou]	0.0 [thou]	3.0 [thou]
Multipoint	-0.1 [thou]	-6.5 [thou]	-0.0 [thou]	3.0 [thou]
Move	-0.0 [thou]	-0.4 [thou]	-0.1 [thou]	-1.9 [thou]
Multipoint	0.0 [thou]	-2.1 [thou]	0.1 [thou]	-1.5 [thou]
Multipoint	-0.1 [thou]	-5.0 [thou]	0.0 [thou]	-0.3 [thou]
# Multipoint	-0.1 [thou]	-4.7 [thou]	0.0 [thou]	0.1 [thou]

Coupling targets

Coupling 1 - 2 :

No targets

Soft foot values

Machine No. 1 :

No soft foot values available

Machine No. 2 :

No soft foot values available

Thermal growth

Left foot

Right foot

Machine No. 1 :

No Thermal growth defined!

Machine No. 2 :

vertical 3.0 3.0 [thou]

horizontal 0.0 0.0 [thou]

Measurement History				
as found-VERM-369 (3/18/2004 6:50:36 AM)				
Coupling 1 - 2 :	V Gap	V Offset	H Gap	H Offset
Pass	48.3 [thou]	290.9 [thou]	3.9 [thou]	-233.6 [thou]
after move (3/18/2004 9:56:03 AM)				
Coupling 1 - 2 :	V Gap	V Offset	H Gap	H Offset
Move	-0.3 [thou]	-11.6 [thou]	-0.0 [thou]	-1.6 [thou]
after move (3/19/2004 8:28:30 AM)				
Coupling 1 - 2 :	V Gap	V Offset	H Gap	H Offset
Move	0.0 [thou]	-5.9 [thou]	-0.0 [thou]	-0.4 [thou]
after shimming (3/19/2004 7:28:34 PM)				
Coupling 1 - 2 :	V Gap	V Offset	H Gap	H Offset
Multipoint	0.0 [thou]	-2.1 [thou]	0.1 [thou]	-1.5 [thou]
as left (3/19/2004 7:42:42 PM)				
Coupling 1 - 2 :	V Gap	V Offset	H Gap	H Offset
Multipoint	-0.1 [thou]	-5.0 [thou]	0.0 [thou]	-0.3 [thou]
as left (3/19/2004 7:56:49 PM)				
Coupling 1 - 2 :	V Gap	V Offset	H Gap	H Offset
Multipoint	-0.1 [thou]	-4.7 [thou]	0.0 [thou]	0.1 [thou]

Tolerances			
Coupling 1 - 2 :			
Source: 60 Hz Table (short flex)	Acceptable	Excellent	
Gap	1.0	0.7	[thou]
Offset	6.0	3.0	[thou]
Standard tolerances			

Tolerance Evaluation

